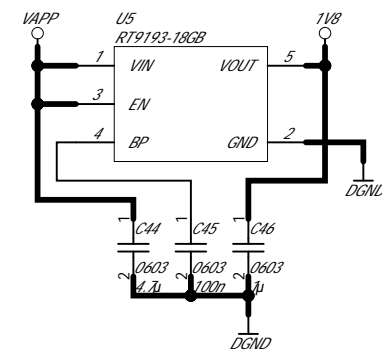
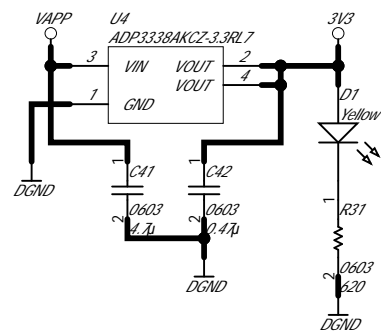
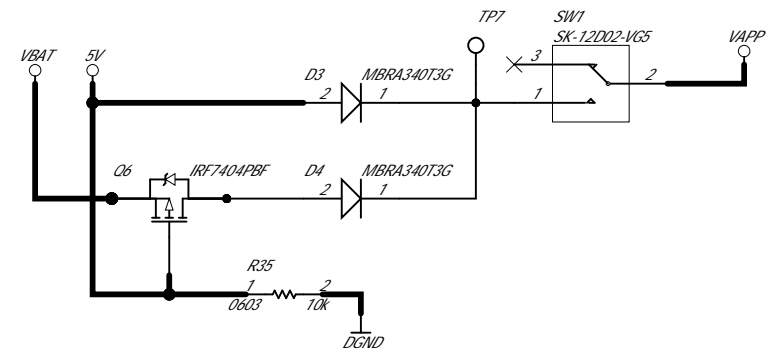
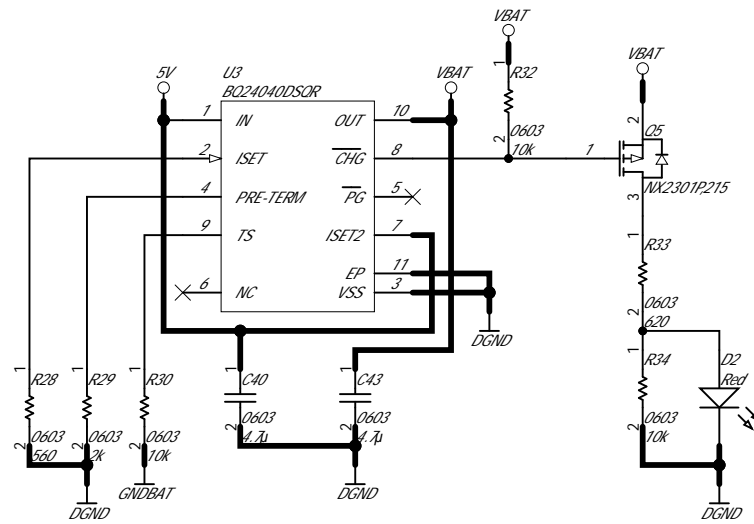
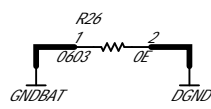
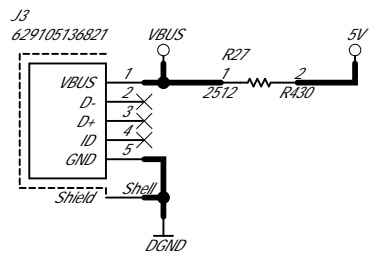
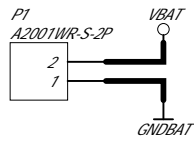
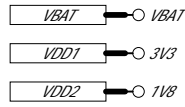


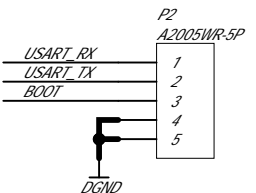
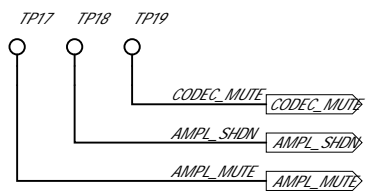
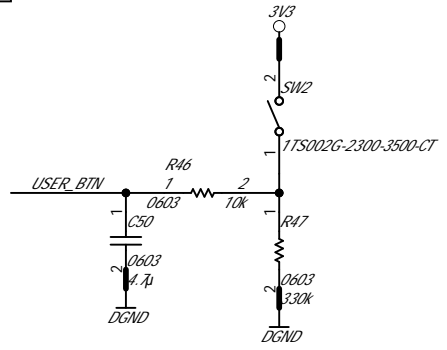
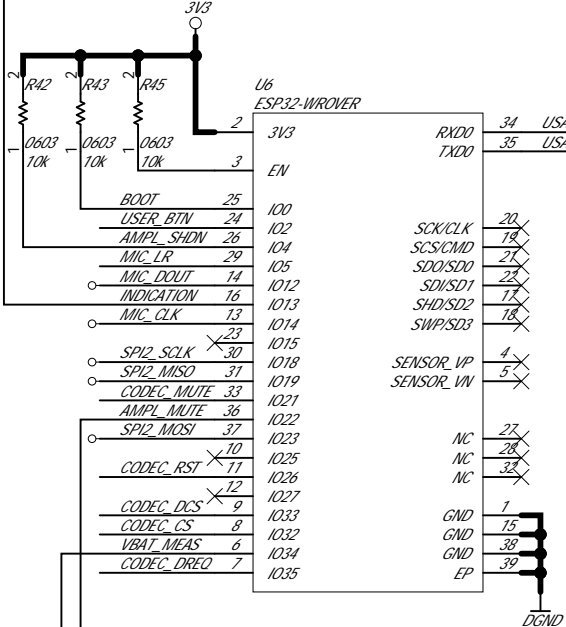
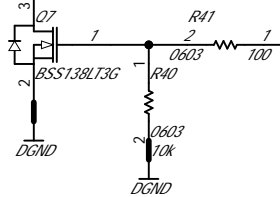
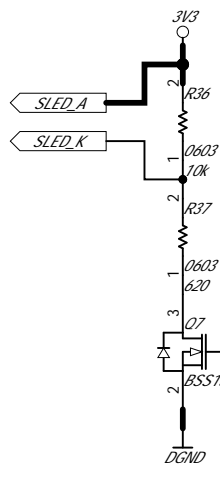
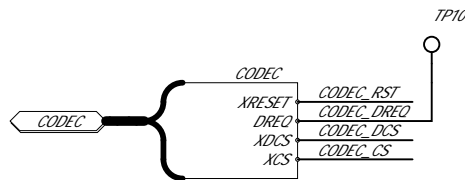
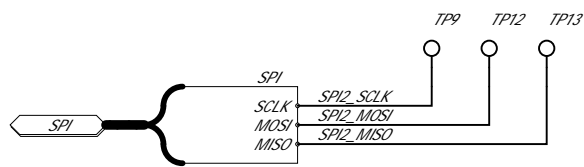
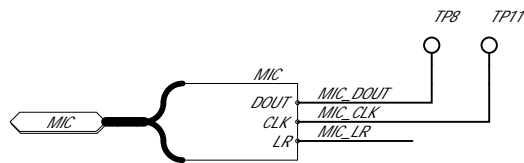
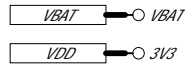
Sheet title Main		
Project title ESP32_Board_Rev_4.PjnPcb		
Author: S. Naumov		
Size: A4	Number: 1	Revision: 4
Date: 21.06.2020	Sheet 1 of 6	
File: Main.SchDoc		



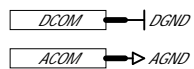
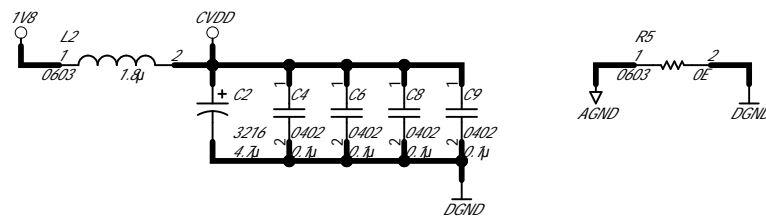
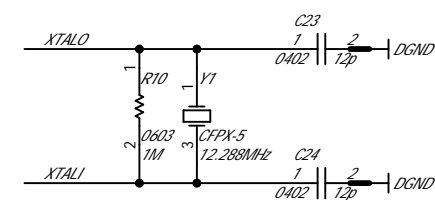
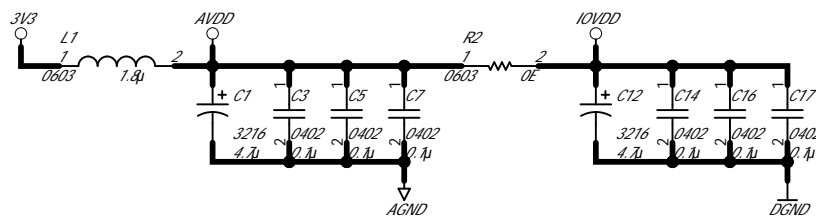
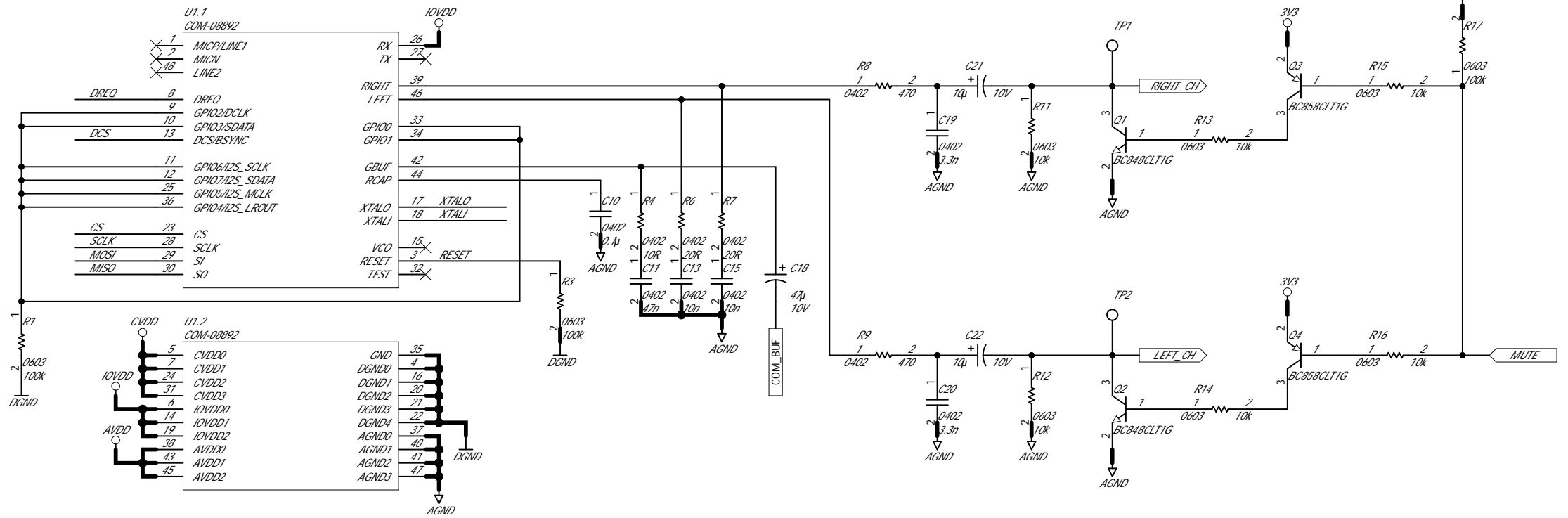
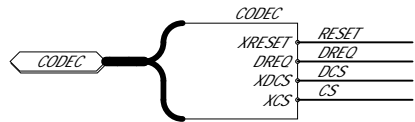
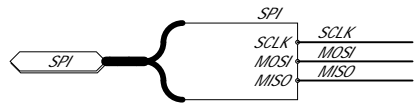
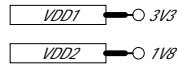


Sheet title: Power	
Project title: ESP32_Board_Rev_4.PdfPub	
Author: S. Naumov	
Size: A3	Number: 2
Date: 21.06.2020	Revision: 4
File: Power.SchDoc	Sheet 2 of 6





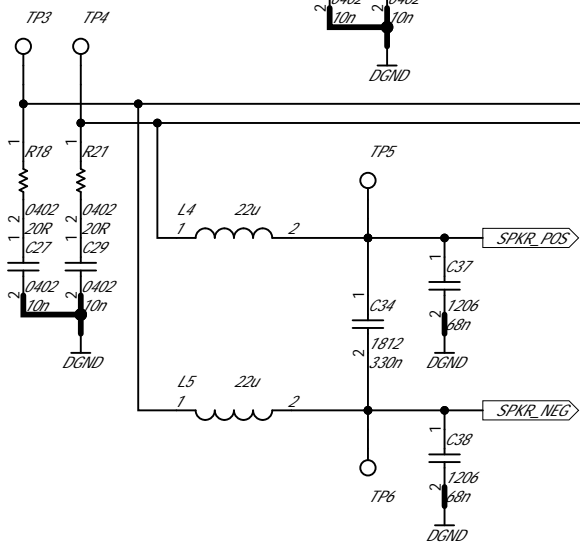
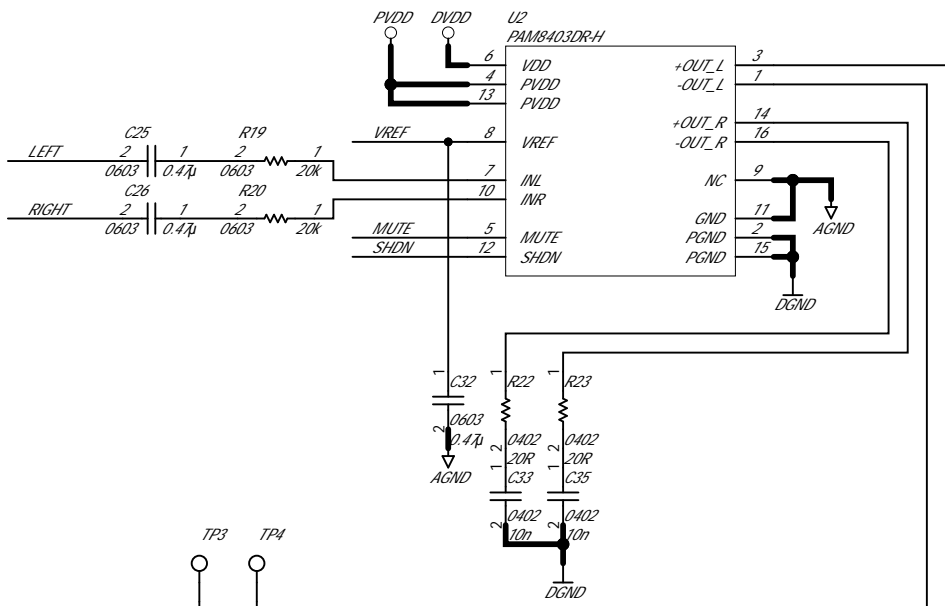
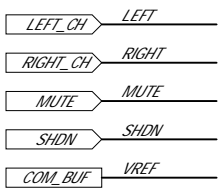
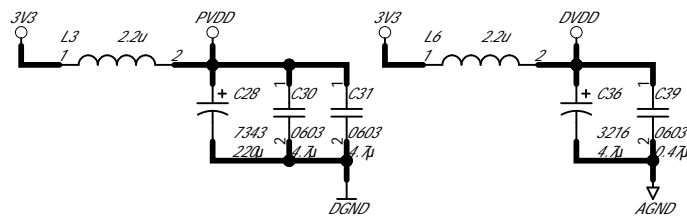
Sheet title: SoC ESP32-D0WDC6			
Project title: ESP32_Board_Rev_4.PdfPub			
Author: S. Naumov			
Size: A3	Number: 3		Revision: 4
Date: 21.06.2020	Sheet 3 of 6		
File: SoC_ESP32-D0WDC6.SchDoc			



Sheet title Audio Codec	
Project title ESP32_Board_Rev_4.PdfPub	
Author: S. Naumov	
Size: A3	Number: 4
Date: 21.06.2020	Revision: 4
File: Audio_Codec_SchDoc	
Sheet 4 of 6	



VDD 3V3

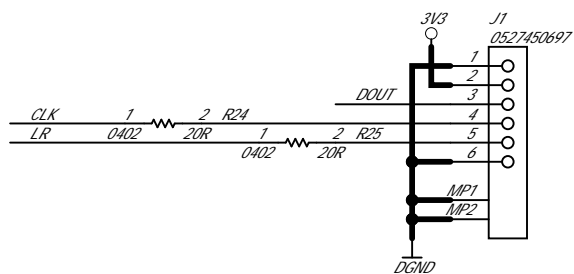
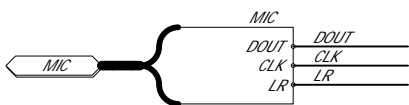
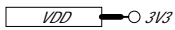


DCOM DGND

ACOM AGND

Sheet title Class-D Amplifier		
Project title ESP32_Board_Rev_4.PjnPcb		
Author S. Naumov		
Size: A4	Number: 5	Revision: 4
Date: 21.06.2020	Sheet 5 of 6	
File: Class-D_Amplifier.SchDoc		





Sheet title External PDM MEMS Microphone			
Project title ESP32_Board_Rev_4.PjtPcb			
Author S. Naumov			
Size: A4	Number: 6	Revision: 4	
Date: 21.06.2020	Sheet 6 of 6		
File: External_PDM_MEMS_Microphone.SchDoc			

5,95

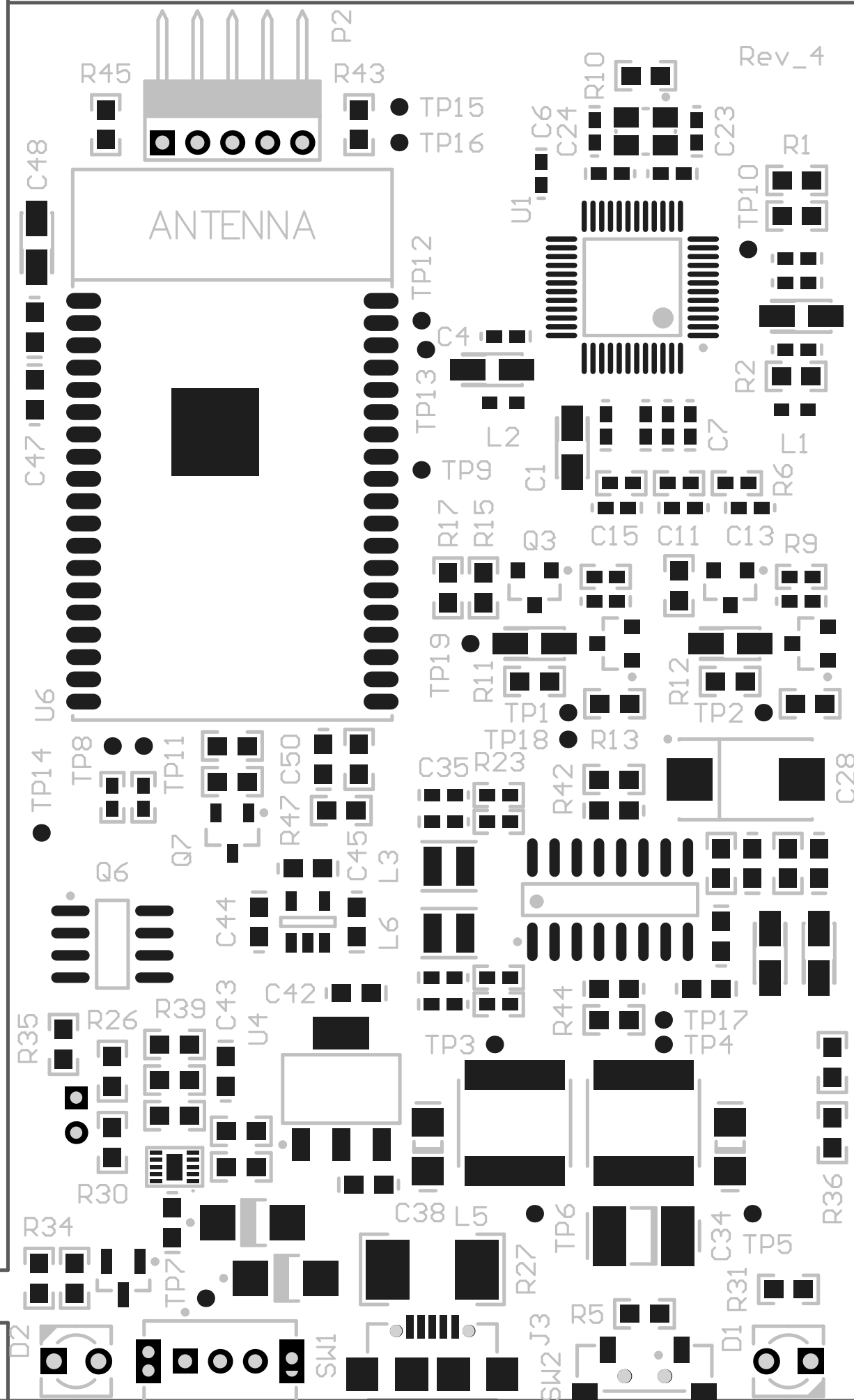
61,00

57,50

48,51

56,78

79,73



PCB Edge

