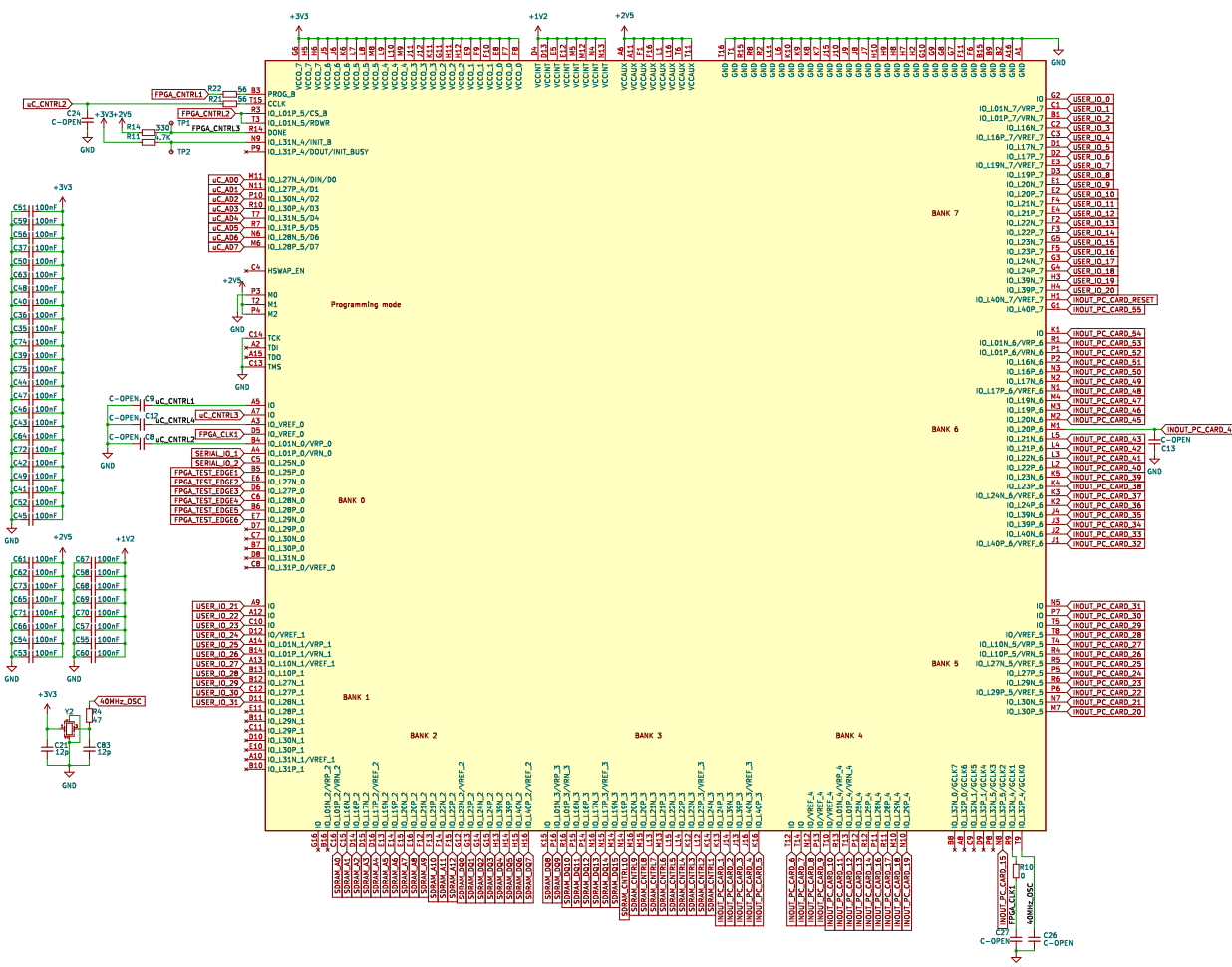
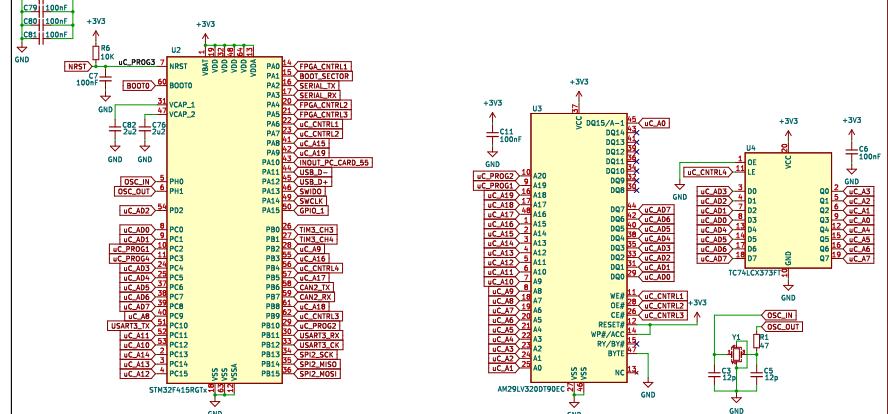


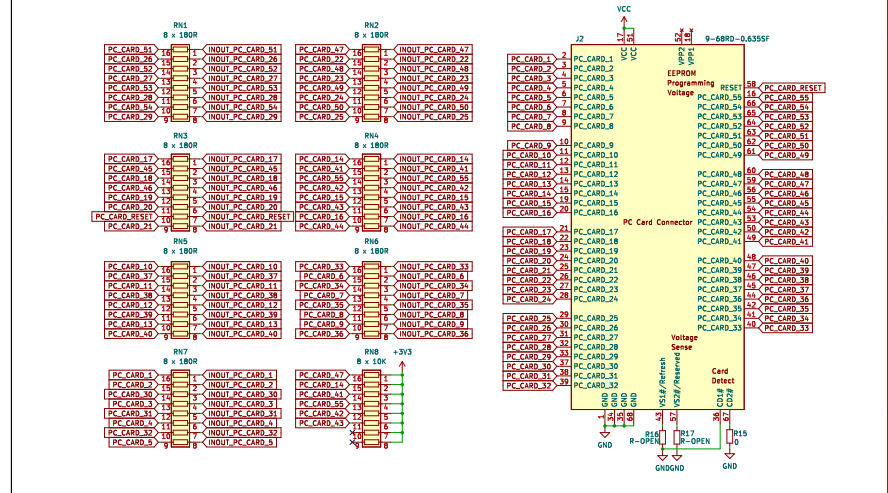
FPGA



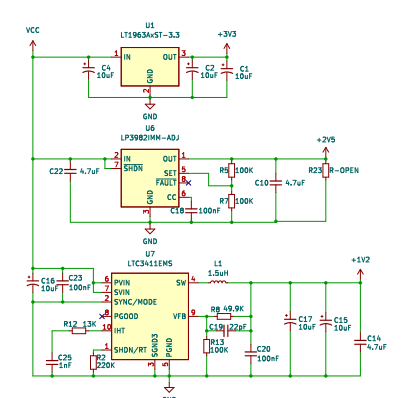
Microcontroller



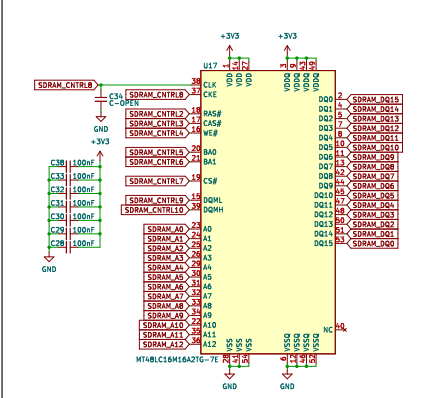
PC Card Connector



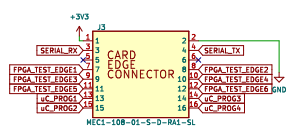
Power



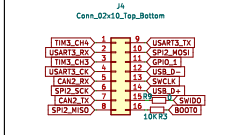
SDRAM



Test Connector



STM free pins



40 Pin Connector

