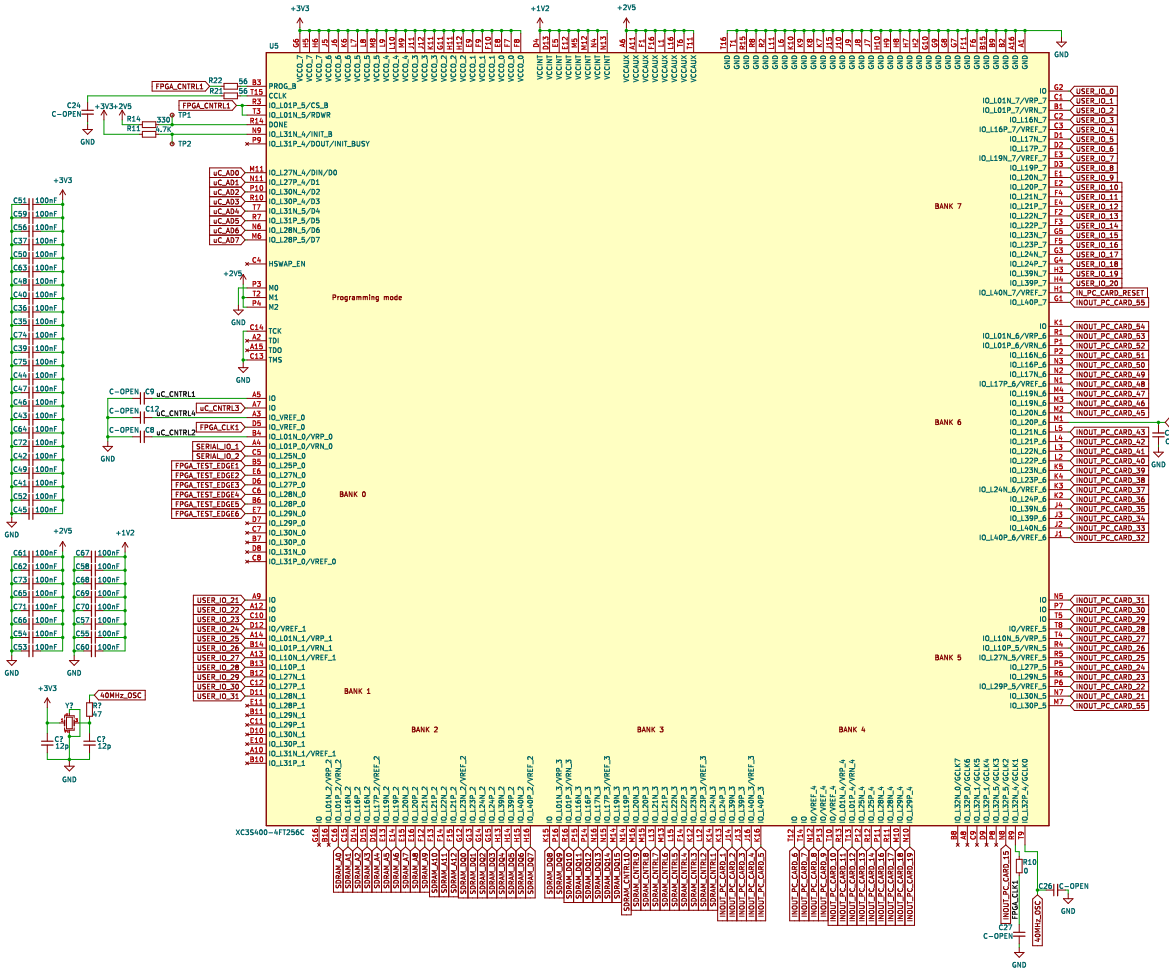
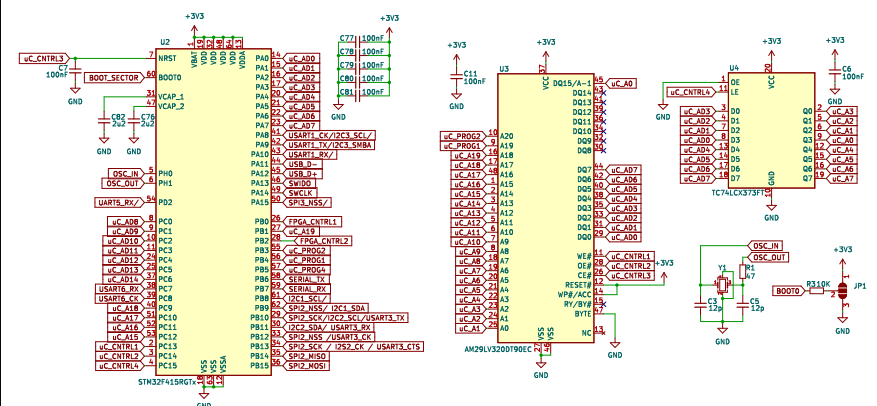


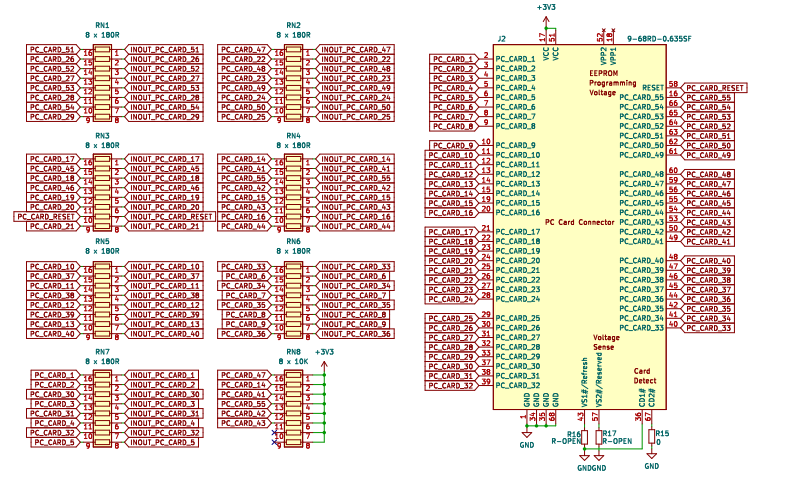
FPGA



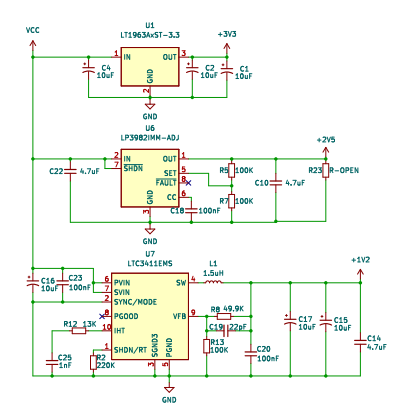
Microcontroller



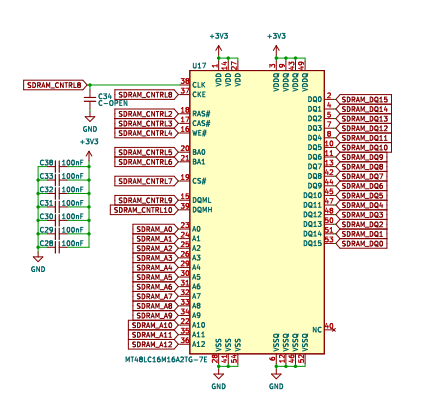
PC Card Connector



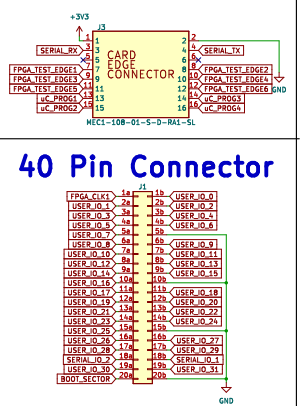
Power



SDRAM



Test Connector



40 Pin Connector

