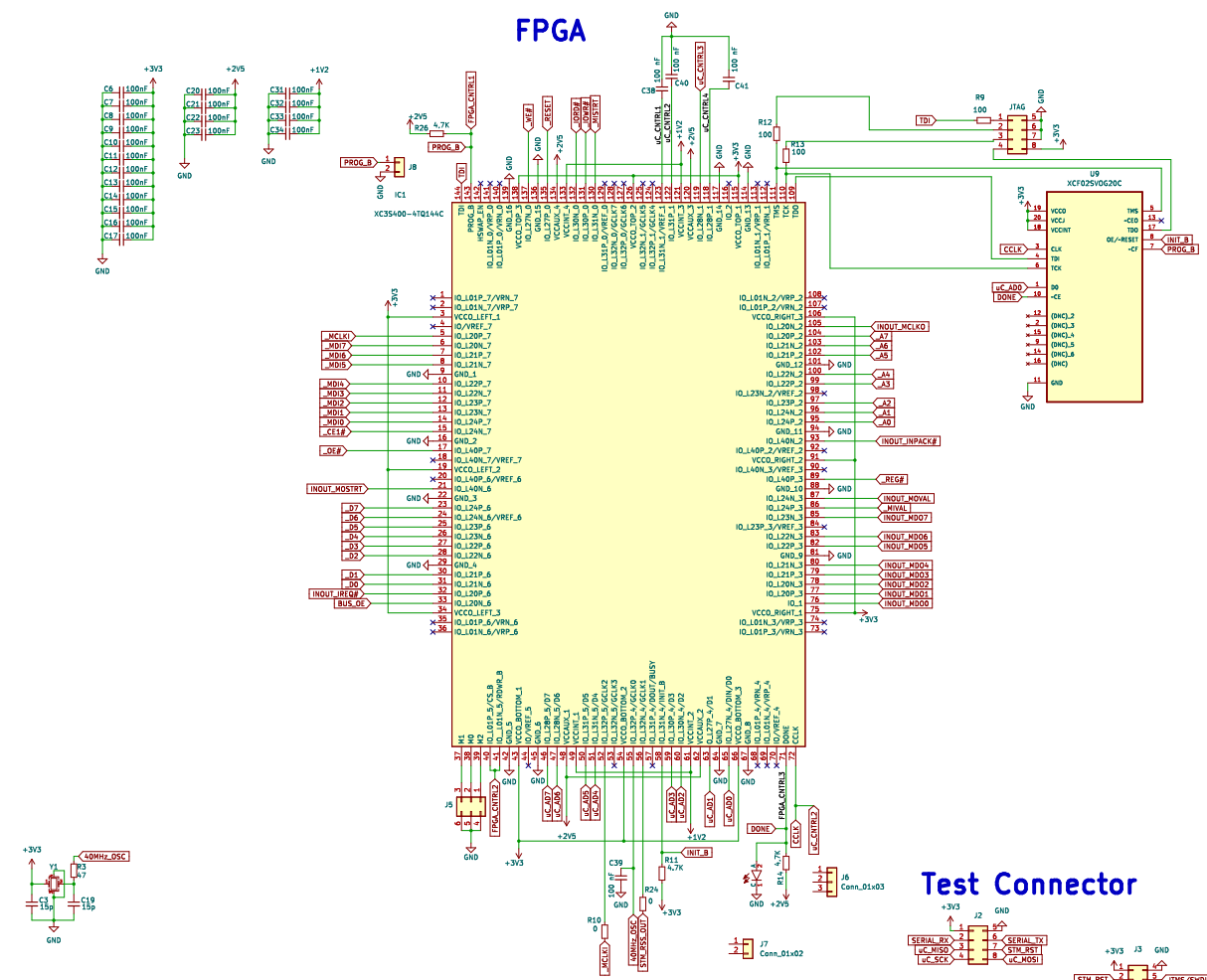
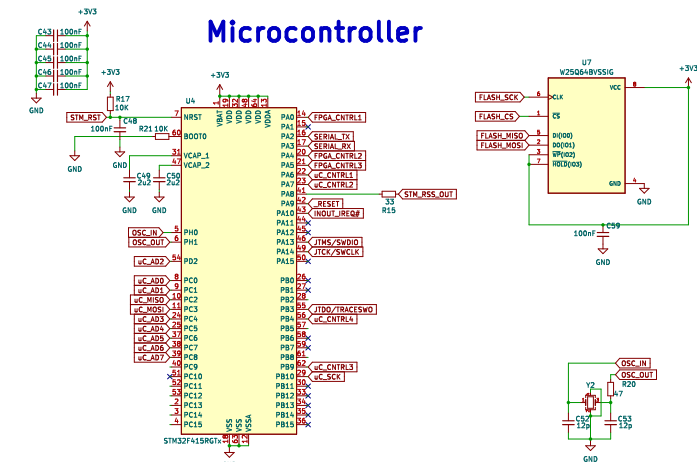


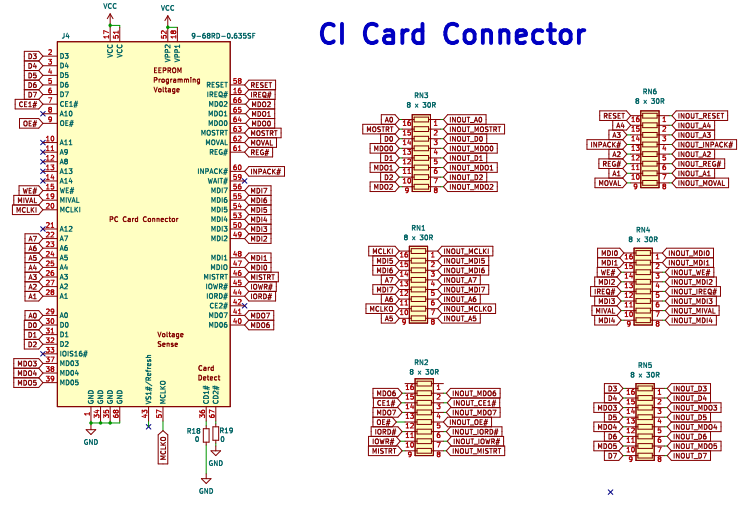
FPGA



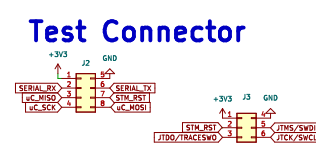
Microcontroller



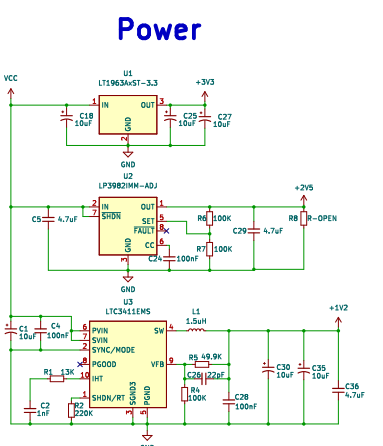
CI Card Connector



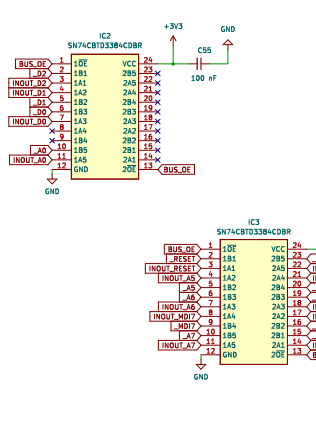
Test Connector



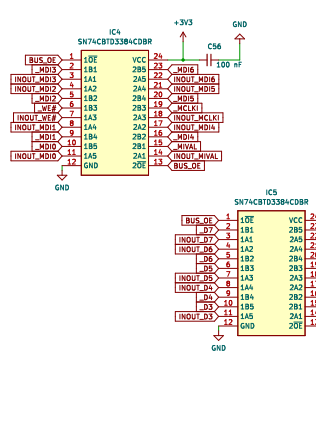
Power



IC2



IC4



IC5

